



5555 Alphard T Courtesy Light

A marine-grade LED step and courtesy light manufactured from 316-grade stainless steel.

This courtesy light has an IP65 rating and is therefore suitable for interior or exterior application.

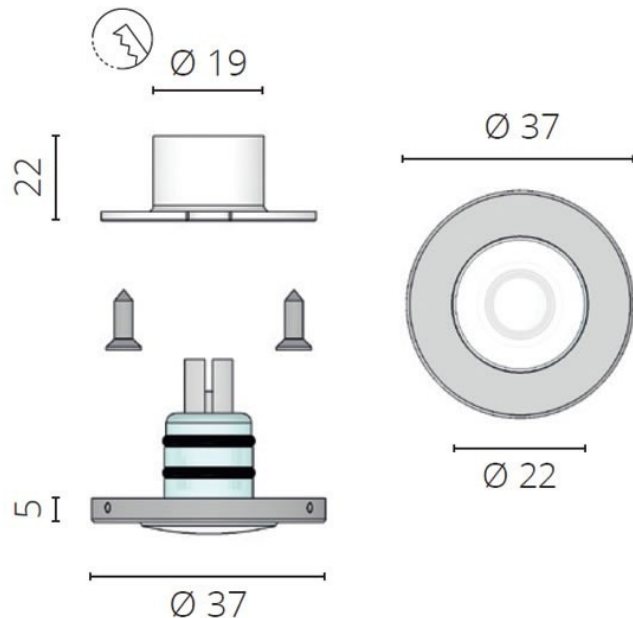
This courtesy light model features a polymer LED module housing and can be supplied in either a 0.5 Watt or 1.5 Watt version.





GINEICO

- LED courtesy light with a 316 grade stainless steel bezel
- Recessed with screw fitting
- SMD LED and Power LED versions available
- 10-30Vdc multi-voltage
- Dimmable
- IP65 rated
- Weight (kg) 0.02
- Manufacturer FS Marine
- Installation Recessed
- Light Element Type Power LED
- Lens Angle n/a
- Wattage 1.5W or 0.5W
- LED Colour White 3200°K
- Input Voltage 10-30Vdc
- IP Rating IP65
- Dimmer Yes
- Bezel Size (mm) Ø37.00
- Cut-out Size (mm) Ø19.00
- Depth (mm) 12.00
- Finish 316 Stainless Steel
- SKU FS-5555



G45, 76-84 WATERWAY DRIVE COOMERA, QUEENSLAND, 4209, AUSTRALIA

PHONE: (+61) 7 5556 0244

EMAIL: SALES@GINEICOMARINE.COM.AU

WWW.GINEICOMARINE.COM.AU



| POWER LED 1 | VDC | WATT | DIMMER | Colours Temp. | LED Colours |
|--------------|-------|------|--------|---------------|-------------|
| 5555.I.P3200 | 10/30 | 1,5 | 6018 | 3200 °K | White |
| 5555.I.P4000 | 10/30 | 1,5 | 6018 | 4000 °K | White |
| 5555.I.PB | 10/30 | 1,5 | 6018 | // | Blue |

| LED | VDC | WATT | DIMMER | Colours Temp. | LED Colours |
|-------------|-------|------|--------|---------------|-------------|
| 5555.I.3200 | 10/30 | 0,5 | 6018 | 3200 °K | White |
| 5555.I.6000 | 10/30 | 0,5 | 6018 | 6000 °K | White |
| 5555.I.R | 10/30 | 0,5 | 6018 | // | Red |
| 5555.I.B | 10/30 | 0,5 | 6018 | // | Blue |

